

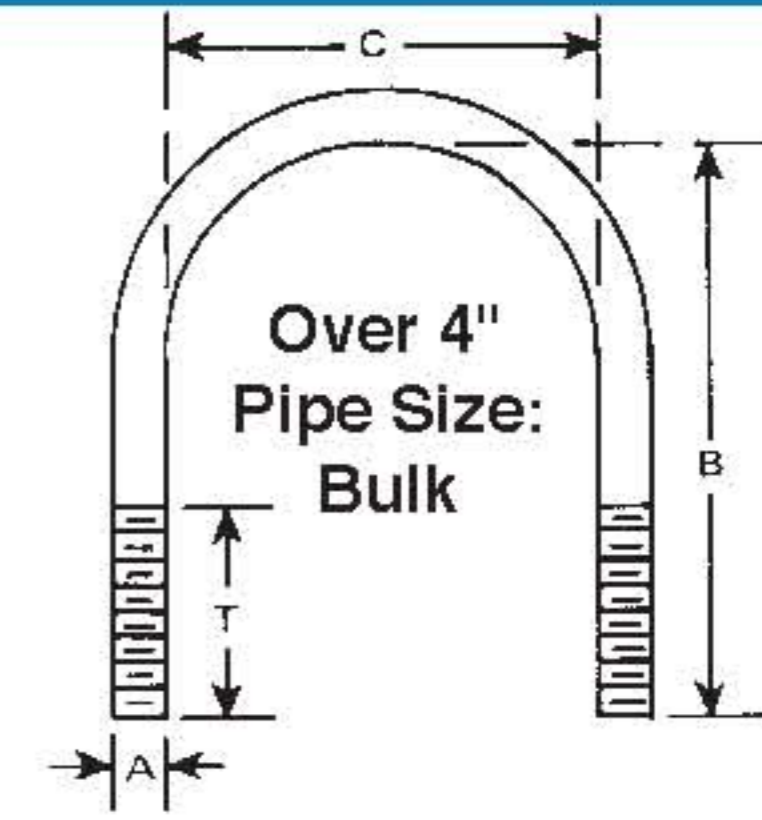


# ROUND BEND U-BOLTS

Round Bend U-Bolts for Steel or Wrought Iron pipe sizes 1/4"-18" inclusive,



Standard Pack:  
10 Pieces



## ZINC PLATED

U-Bolt Dimensions – Inches				For Pipe Size
Diameter & Thread (A)	I.D. (C)	Inside Length (B)	Thread Length (T)	
1/4"-20	9/16"	1-1/4"	3/4"	1/4"
1/4"-20	3/4"	1-1/4"	5/8"	3/8"
1/4"-20	3/4"	2-1/4"	1-1/2"	3/8"
1/4"-20	1"	1-3/4"	1"	1/2"
1/4"-20	1"	2-3/4"	1-1/4"	1/2"
1/4"-20	1-1/8"	2"	1"	3/4"
1/4"-20	1-1/8"	3-1/8"	1-1/2"	3/4"
1/4"-20	1-1/4"	2-1/4"	1-1/4"	3/4"
1/4"-20	1-1/2"	2-3/4"	1-3/8"	1"
1/4"-20	1-3/4"	3"	1-3/8"	1-1/4"
1/4"-20	2"	3-1/4"	1-3/8"	1-1/2"
5/16"-18	1"	2-3/16"	1-3/8"	1/2"
5/16"-18	1-1/8"	2-3/16"	1"	3/4"
5/16"-18	1-3/8"	2-3/16"	1"	1"
5/16"-18	1-3/8"	3-5/8"	2"	1"
5/16"-18	1-1/2"	2-3/16"	1"	1"
5/16"-18	1-3/4"	2-11/16"	1-1/8"	1-1/4"
5/16"-18	1-3/4"	4-1/2"	2"	1-1/4"
5/16"-18	2"	2-11/16"	1"	1-1/2"
5/16"-18	2"	4-3/4"	3"	1-1/2"
5/16"-18	2-1/2"	3-3/16"	1"	2"
5/16"-18	2-1/2"	5-5/8"	3"	2"
5/16"-18	3"	3-11/16"	1"	2-1/2"
3/8"-16	1"	2-1/4"	1-1/4"	1/2"
3/8"-16	1-1/4"	2-1/4"	1-1/4"	3/4"
3/8"-16	1-1/2"	2-1/2"	1-1/4"	1"
3/8"-16	1-3/4"	2-3/4"	1-1/8"	1-1/4"
3/8"-16	2"	2-5/8"	1-1/4"	1-1/2"
3/8"-16	2-1/2"	3-1/8"	1-1/4"	2"
3/8"-16	3"	3-5/8"	1-1/4"	2-1/2"
3/8"-16	3"	6-5/8"	3"	2-1/2"
3/8"-16	3-1/2"	4-1/8"	1-1/4"	3"
1/2"-13	3"	4-1/2"	1-5/8"	2-1/2"
1/2"-13	3-1/2"	5"	1-1/2"	3"
1/2"-13	3-1/2"	8-1/2"	3"	3"
1/2"-13	4"	5-1/2"	1-1/2"	3-1/2"
1/2"-13	4-1/2"	6"	1-1/2"	4"
1/2"-13	5-5/8"	7-1/4"	2"	5"
1/2"-13	6-3/4"	8-3/8"	2"	6"
1/2"-13	8-3/4"	10-3/8"	2"	8"
*3/4"-10	10-7/8"	13-13/16"	4"	10"
*7/8"-9	12-7/8"	16-1/16"	4-1/4"	12"
*7/8"-9	14-1/8"	17-5/16"	4-1/4"	14"
*7/8"-9	16-1/8"	19-5/16"	4-1/4"	16"
*1"-8	18-1/8"	21-11/16"	4-3/4"	18"

Distributed by:

