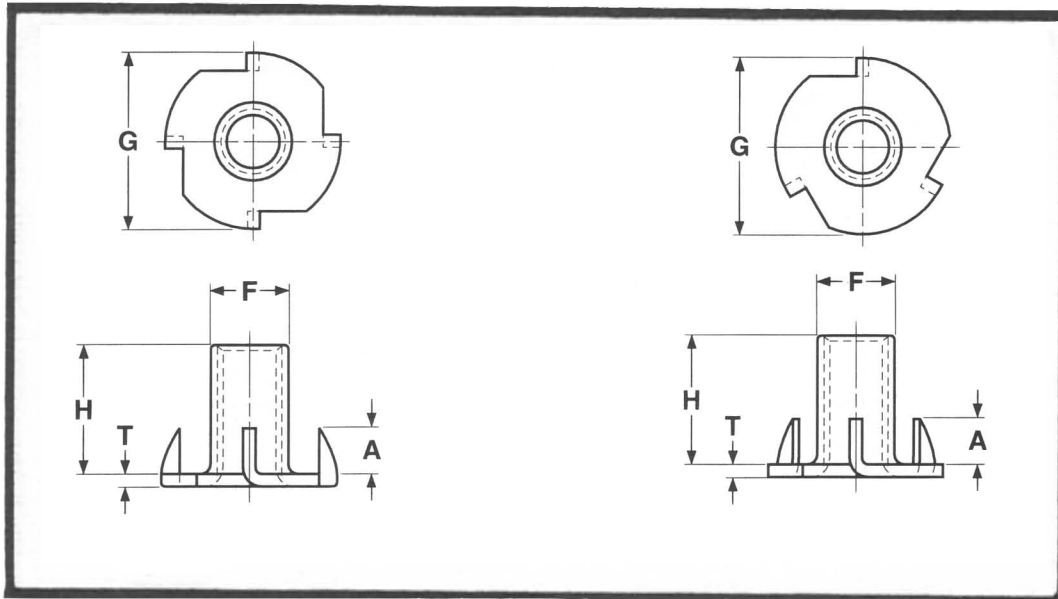


T-NUTS, STRAIGHT BARREL



Part Number	Thread Size	G	H	F	A	T	Drill Size	LBS Per M Pcs.
		Flange Dia.	Barrel Height	Barrel Diam.	Prong Height	Material Thickness		
1005NT3	10 - 24	3/4	5/16	.243	7/32	.040	1/4	7
1005NT4	10 - 24	3/4	5/16	.243	7/32	.040	1/4	7
1105NT3	10 - 32	3/4	5/16	.243	7/32	.040	1/4	7
1105NT4	10 - 32	3/4	5/16	.243	7/32	.040	1/4	7
1405NT3	1/4 - 20	3/4	5/16	.305	7/32	.047	5/16	9
1405NT4	1/4 - 20	3/4	5/16	.305	7/32	.047	5/16	9
1407NT3	1/4 - 20	3/4	7/16	.305	5/16	.047	5/16	9
1407NT4	1/4 - 20	3/4	7/16	.305	1/4	.047	5/16	9
3106NT3	5/16 - 18	7/8	3/8	.390	1/4	.063	25/64	14
3106NT4	5/16 - 18	7/8	3/8	.390	1/4	.063	25/64	14
3110NT3	5/16 - 18	7/8	5/8	.390	5/16	.063	25/64	18
3707NT4	3/8 - 16	1	7/16	.440	11/32	.063	29/64	19